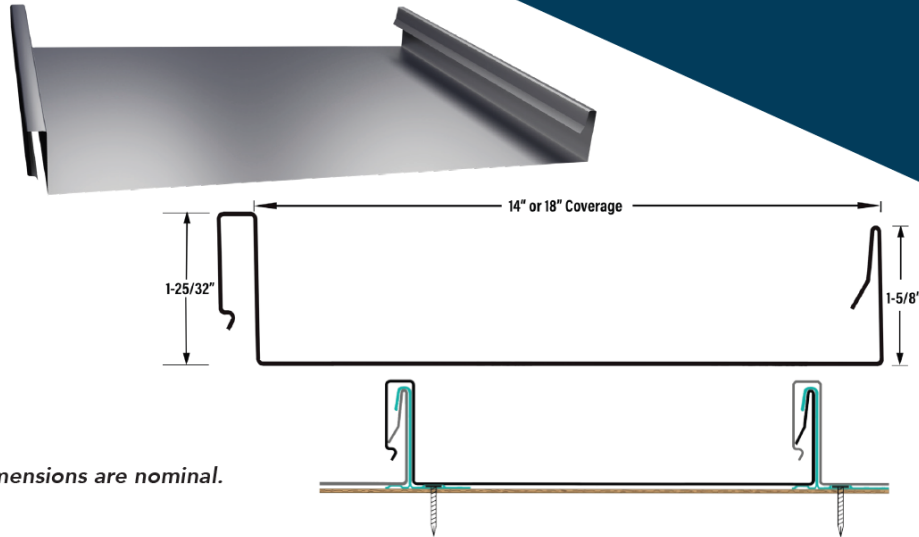


1-3/4" SNAP-LOCK STANDING SEAM



All dimensions are nominal.

PRODUCT TESTING

- **Uplift Resistance:** UL 580, UL 1897, TAS 110, TAS 125
- **Wind-Driven Rain:** TAS 100
- **Tensile Strength:** ASTM E8
- **Fire Rating:** UL 790
- **Accelerated Coating:** ASTM G152
- **Salt Spray Coating:** ASTM B117
- **Florida Building Code:** Approved
- **Miami-Dade County:** Product Control Approved

PRODUCT SPECIFICATIONS

- **Material:** 22, 24, 26 gauge steel; .032, .040 aluminum
- **Slope:** 2:12 or greater, site-specific also available
- **Support:** Wood deck support of 15/32-inch or greater plywood, steel deck
- **Coverage:** 14 inches or 18 inches
- **Finish:** 70% PVDF (Kynar 500®), Tedlar® PVF film, mill-finished MaxAlúme
- **Sustainability:** LEED eligible†
- **Quality:** Keystone Quality Assurance Program, Miami-Dade Quality Assurance Program